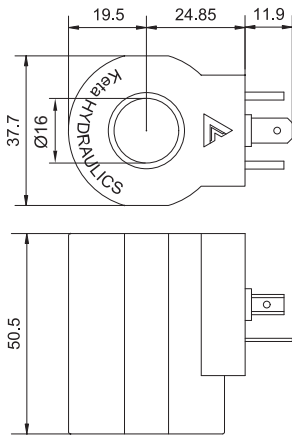


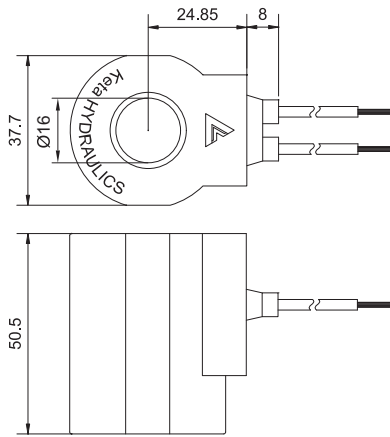
线圈数据 OTHER SIZE SOLENOID COIL DATA

Coil Must Be Installed With Letter Up
安装线圈时，字母必须朝上。

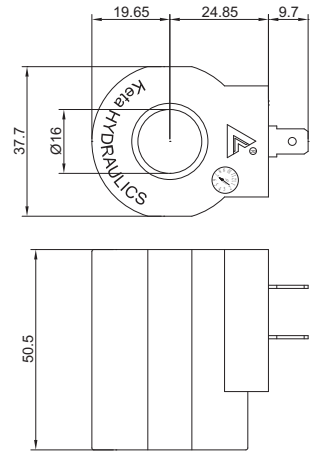
Unit=Millimeters



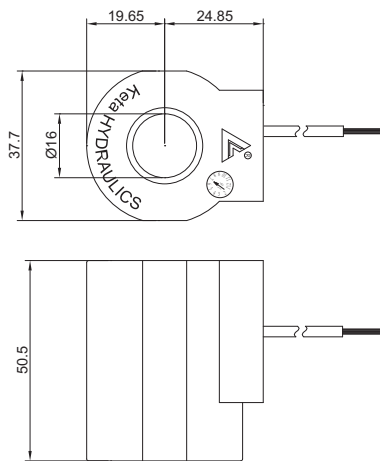
HIRSCHMAN



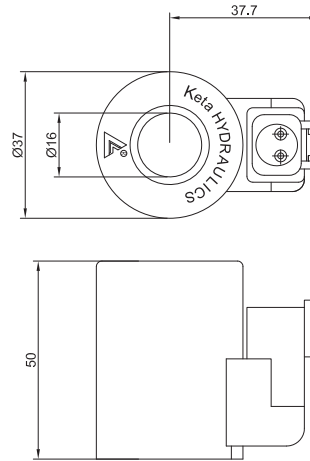
DOUBLE LEADS



DOUBLE SPADE



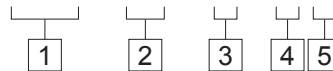
SINGLE LEAD



Model:SC-10-C-*ER (22W)
Deutsch Connector
(Water-proof Coil)

订货代号 TO ORDER

LC3 - 10 - C - * *



- 1 功能**
LC3= 电磁线圈 Solenoid Coil

- 2 规格 Size**
10=10 规格

- 3 形状 Shape**
C= 圆形 Cylindrical

- 4 电压 Voltage**
1=12 VDC RED LEAD 红线
2=24 VDC BLUE LEAD 蓝线
3=110VAC BLACK LEAD 黑线
4=220VAC YELLOW LEAD 黄线
9=72 VDC

- 5 线圈连接 Coil Connection**
D= Double Lead 双线
H= Hirschmann 三插

电压 (V)	功率 (W)	电阻 (Ω)±7%[Ta=20-25°C]
12VDC	26	5.5
24VDC	26	22.1
110VAC	26	—
220VAC	26	—
72VDC	26	199